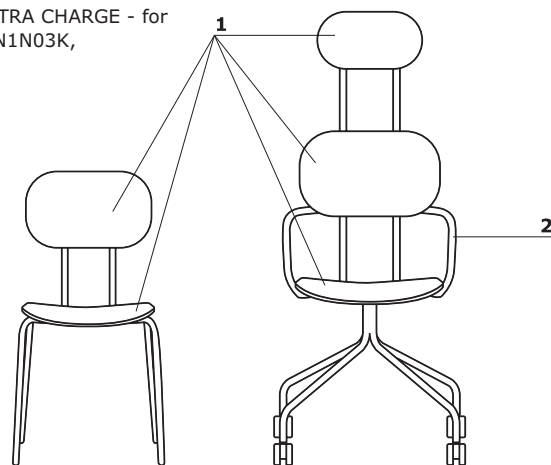


## Technical specification

- 1 Seat, backrest, headrest** - upholstery/plywood (8 layers / 9 mm)
- 2 Armrests** - metal (right + left) in frame colour; OPTION WITH EXTRA CHARGE - for seat, backrest N1N01, N1N07, N1N03K, N1N04H, N1N05H, N1N08K



ATTENTION - Zip in black colour - no unzipping; max. load 120 kg

## Bases

### 1 Base N1N01/N2N01:

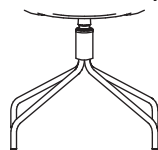
- 4 - legged metal frame
- frame made of tube Ø18 mm, wall thickness 2 mm, powder coated
- **N1N01** - stacking - maximum of 5 pieces (only in the plywood finish chairs)



N1N01  
N2N01  
N1N01F  
N2N01F

### 2 Base N1N07/N2N07:

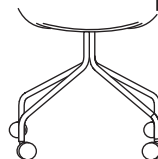
- 4 - star metal frame
- frame made of tube Ø18 mm, wall thickness 2 mm, powder coated
- swivel seat - 360°



N1N07  
N2N07  
N1N07F  
N2N07F

### 3 Base N1N03K/N2N03K:

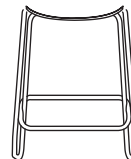
- 4 - star metal frame
- castors for soft floors
- OPTION WITH EXTRA CHARGE - castors for hard floors
- frame made of tube Ø18 mm, wall thickness 2 mm, powder coated
- fixed seat



N1N03K  
N2N03K  
N1N03KF  
N2N03KF

### 4 Base N1N04H:

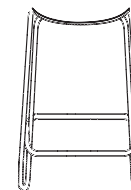
- high stool
- skid, metal
- frame made of tube Ø18 mm, wall thickness 2 mm, powder coated
- stacking - maximum of 5 pieces (only in the plywood finish chairs)



N1N04H  
N1N04HF

### 5 Base N1N05H:

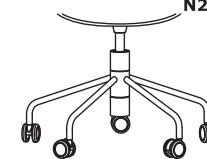
- high stool
- skid, metal
- frame made of tube Ø18 mm, wall thickness 2 mm, powder coated
- stacking - maximum of 5 pieces (only in the plywood finish chairs)



N1N05H  
N1N05HF

### 6 Base N1N08K/N2N08K:

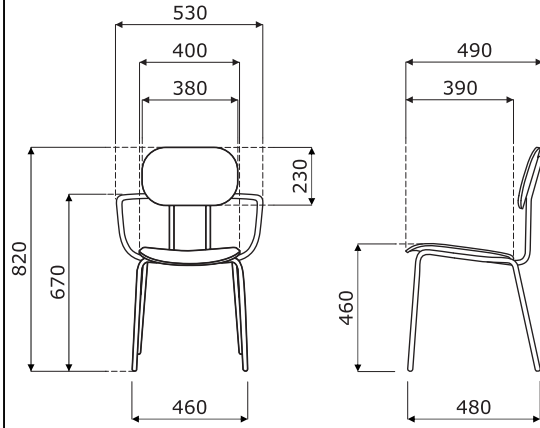
- base 5 - star, steel pipe Ø18 mm, wall thickness 2 mm, powder coated
- steal gas spring; adjustment range 100 mm (seat - height: 440 - 540 mm)



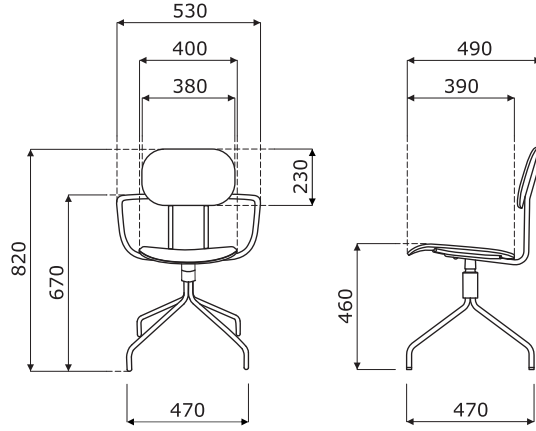
N1N08K  
N2N08K  
N1N08KF  
N2N08KF

Dimensions (mm)

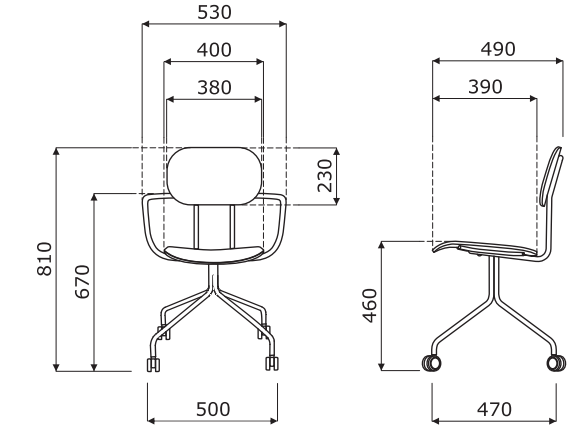
**N1N01  
N1N01F**



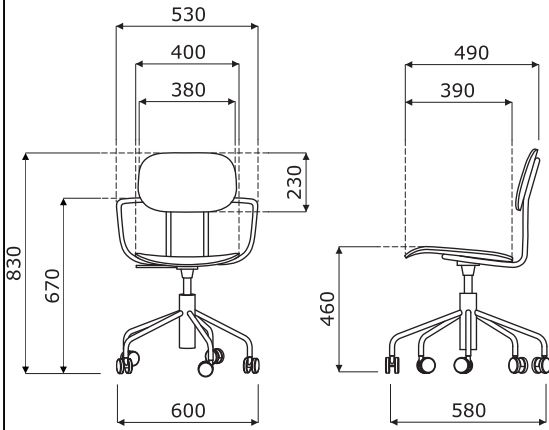
**N1N07  
N1N07F**



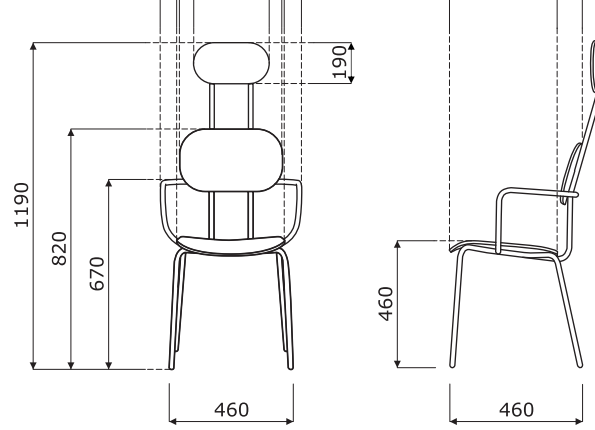
**N1N03K  
N1N03KF**



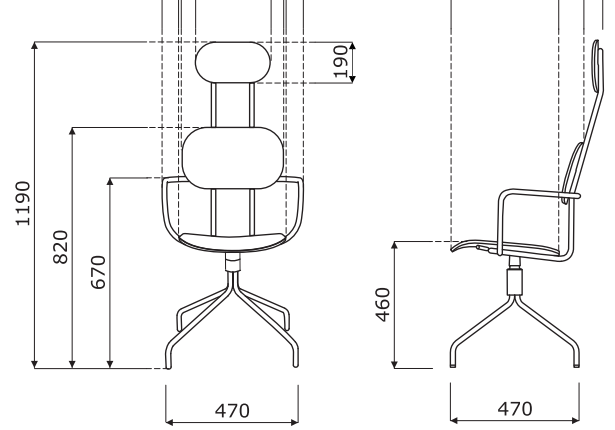
**N1N08K  
N1N08KF**



**N2N01  
N2N01F**

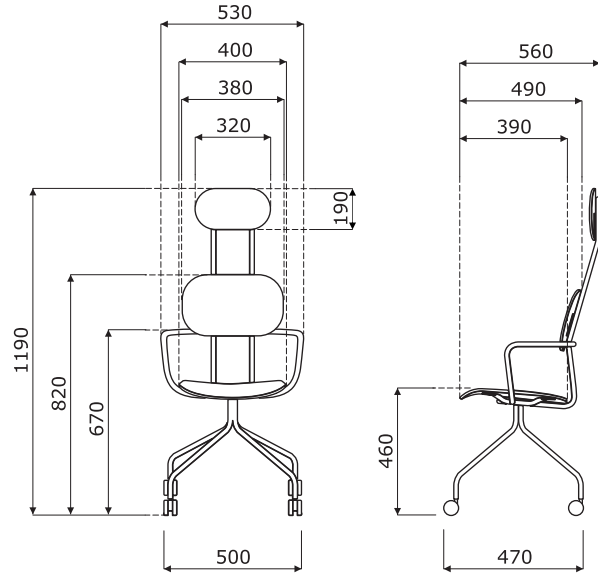


**N2N07  
N2N07F**

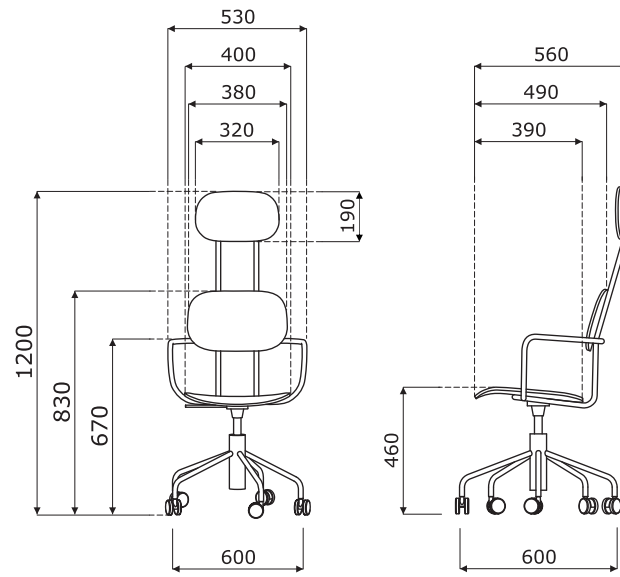


Dimensions (mm)

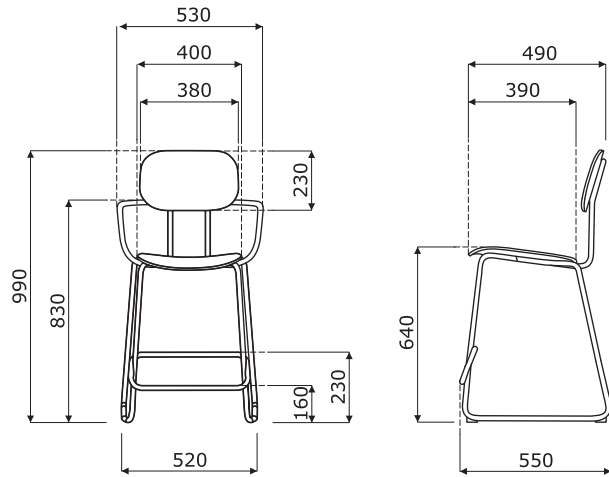
**N2N03K  
N2N03KF**



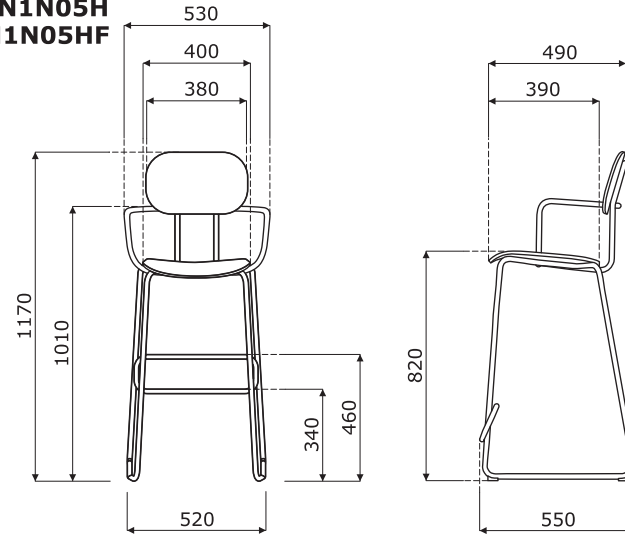
**N2N08K  
N2N08KF**



**N1N04H  
N1N04HF**

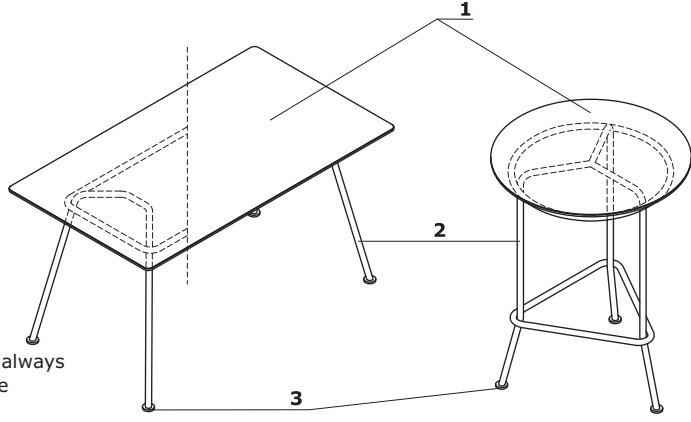


**N1N05H  
N1N05HF**



**New School - meeting tables**

- 1 Top** - 19mm MDF board; covered in bacteriostatic linoleum with resistance to finger prints; varnished Edge
- 2 Frame** - metal, powder coated, frame made of tube  $\varnothing$  25 mm
- 3 Leveling feet** - range 9 mm



ATTENTION - Top edging always matching the colour of the framework